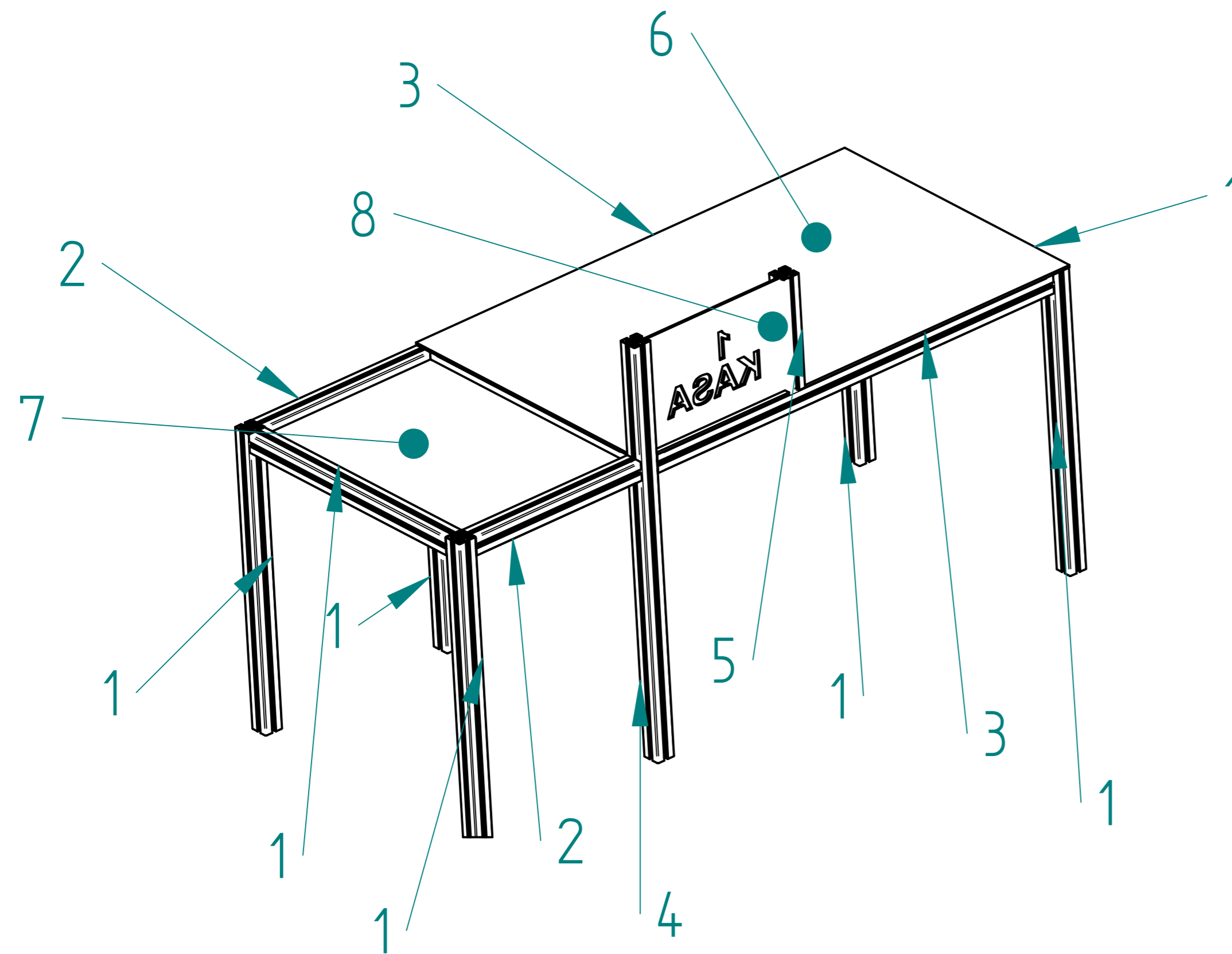


REVISION HISTORY			
REV	DESCRIPTION	DATE	APPROVED



- Profil 1 L-750
- Profil 2 L-500
- Profil 3 L-1200
- Profil 4 L-1500
- Profil 5 L-300
- Blacha 6 1300x800
- Blacha 7 700x500
- Blacha 8 Kasa 1 300x424

SOLID EDGE ACADEMIC COPY

	NAME	DATE	Solid Edge	
DRAWN	Technik	11/09/23		
CHECKED			TITLE	
ENG APPR				
MGR APPR				
UNLESS OTHERWISE SPECIFIED DIMENSIONS ARE IN MILLIMETERS ANGLES ±X° 2 PL ±XXX 3 PL ±XXXX			SIZE A2	DWG NO 
			FILE NAME: nowa_kasa_poprawiona.dft	REV 
			SCALE:	WEIGHT:
			SHEET 1 OF 1	